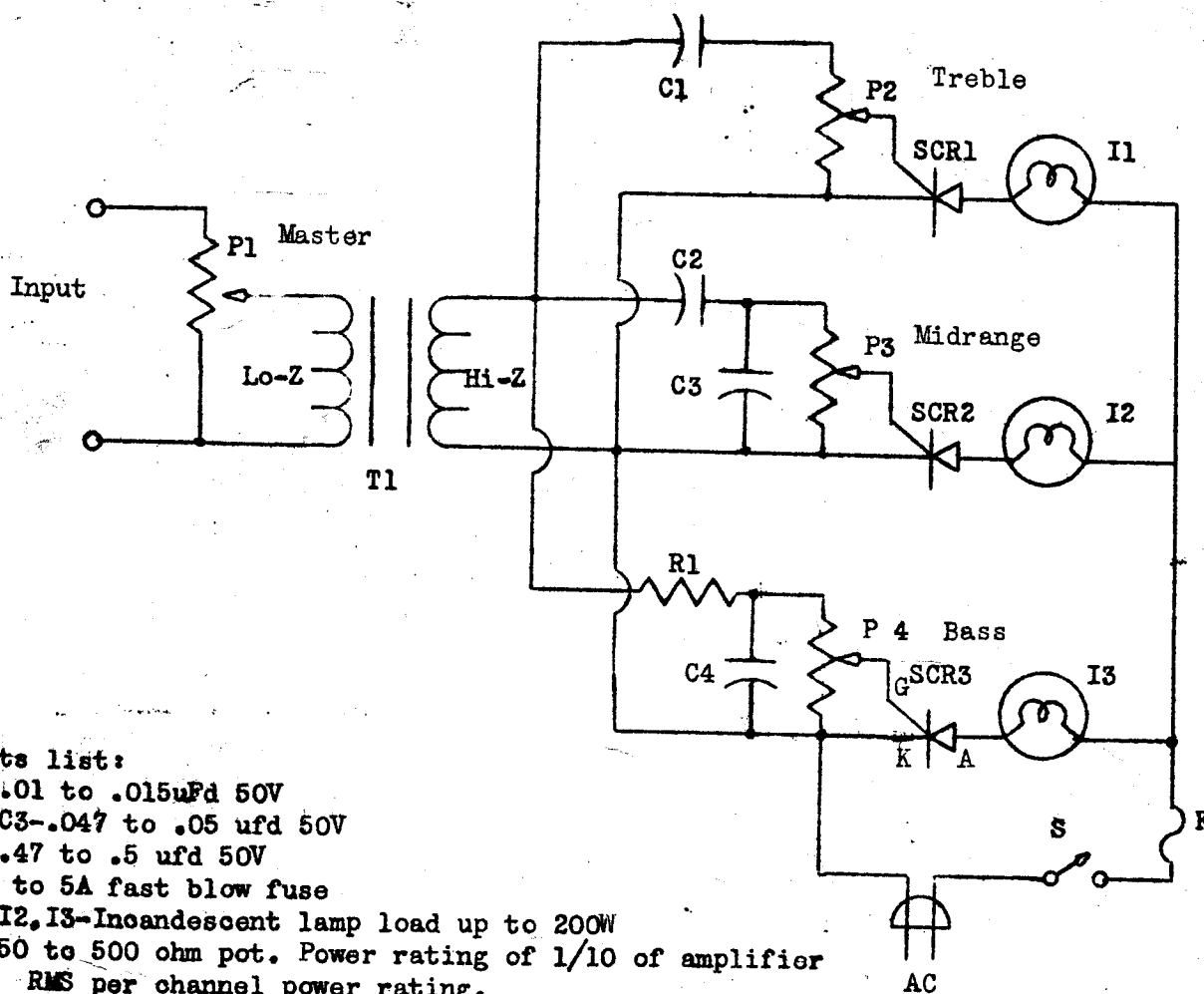


# 3 CHANNEL SOUND to LIGHT TRANSLATOR



## Parts list:

C1-.01 to .015uFd 50V

C2,C3-.047 to .05 ufd 50V

C4-.47 to .5 ufd 50V

F-3 to 5A fast blow fuse

I1,I2,I3-Incandescent lamp load up to 200W

P1-50 to 500 ohm pot. Power rating of 1/10 of amplifier  
RMS per channel power rating.

P2-4.7K to 5K pot.

P3,P4-1K to 5K pot.

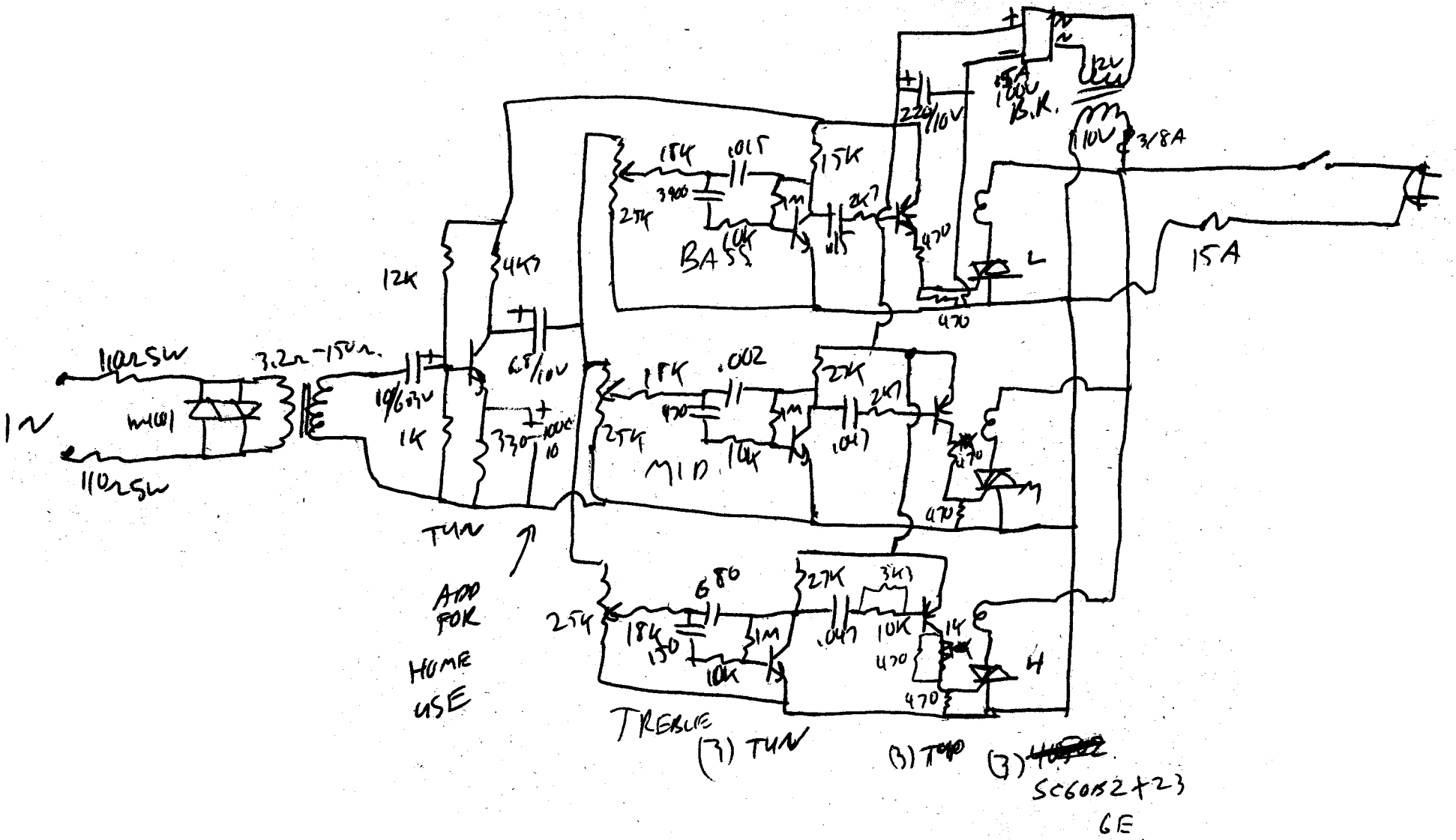
R-4.7K  $\frac{1}{4}$ W resistor

SCR1,2,3-Silicon controlled rectifier GE C106B1 or IR type IR106B1 for 120VAC line.

T-Audio transformer with 8:1 or more turns ratio, such as Armaco AT-49 or similar.

S-SPST on-off switch.

Operation: After connecting input of unit to your speaker terminals, turn the master control all the way down and the others all the way up. Now play your music at the desired volume level and turn up the master until all three lamps are on or flashing. Then for whichever lamps that are on too much turn down the proper control until a nice flashing effect is observed. Now all that is necessary when you adjust your volume is to adjust the master control on the unit. However, if you adjust the tone controls, it will be necessary to readjust the sub controls. Just keep the master as low as possible for proper operation.



27 Apr 67  
 Built for  
 E. Sutherland  
 but never  
 picked up.

Modified apr 11/77